

HARDLOCK®

FACTORY AUTOMATION



Solution for Loosening Fastener
in Production Line

Overhead Storage & Retrieval System



HARDLOCK HLN | Anti-Vibration Hexagon Nut | HLN M20~M24
Electric Motor



MDX PTE LTD
Select The Right Elements
www.mdx.com.sg

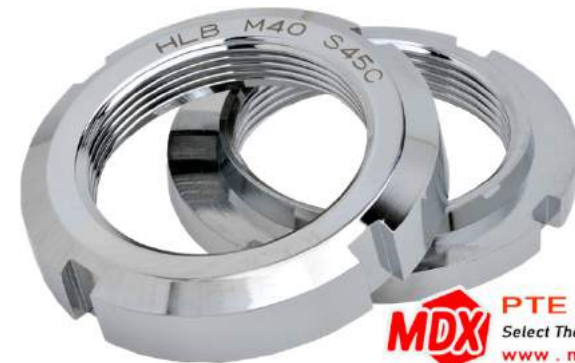


Safety is power!

Overhead Hoist Transport for Semi-conductor manufacturing



HARDLOCK HLB | Anti-Vibration Bearing Lock Nut



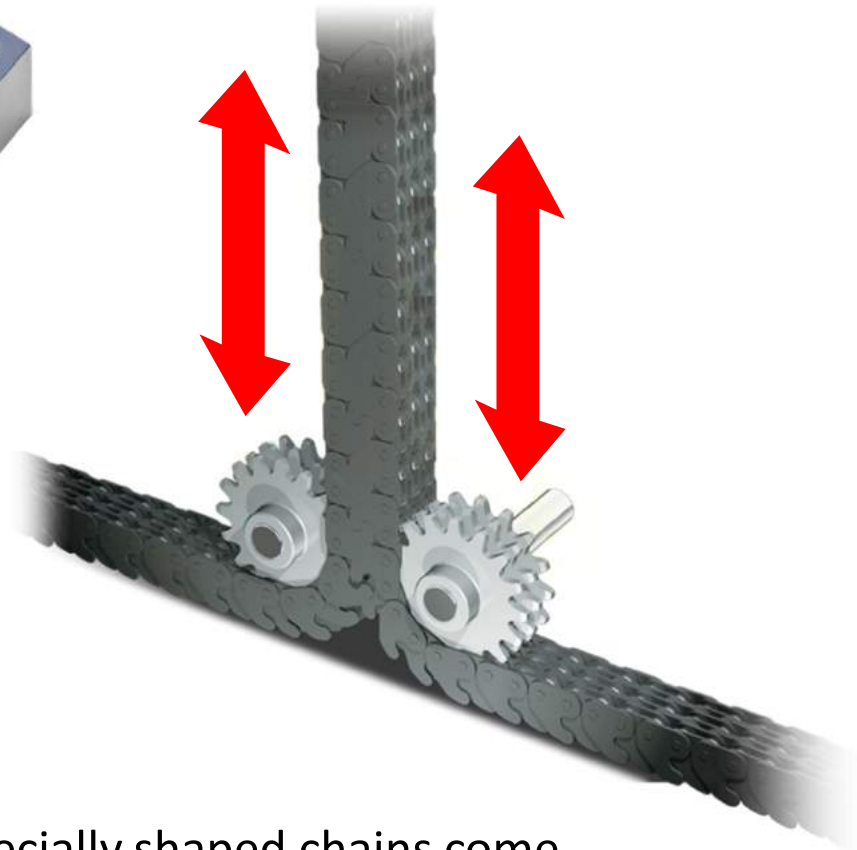
MDX PTE LTD
Select The Right Elements
www.mdx.com.sg



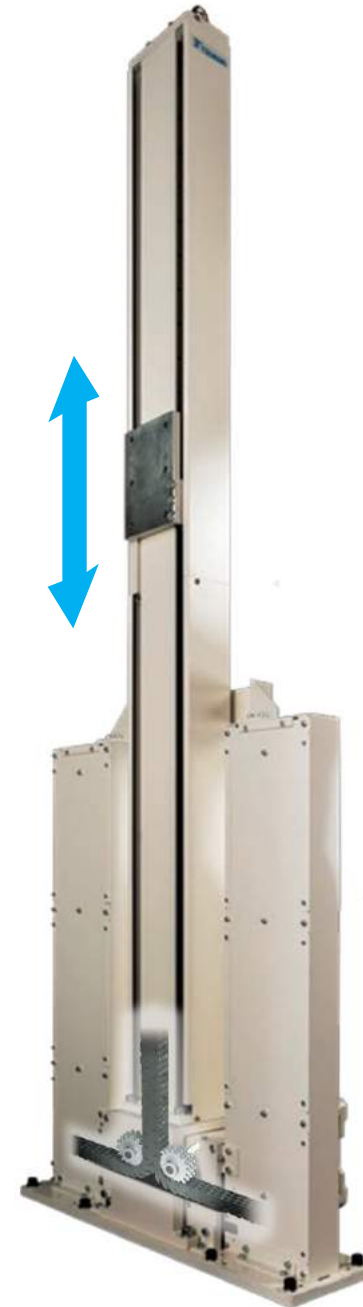
Safety is power!

Linear Guide of Zip Chain System

To fix the housing of a linear guide for Zip Chain System
HARDLOCK | Anti-Vibration Hexagon Nut | HLN M8x1.25 SS400

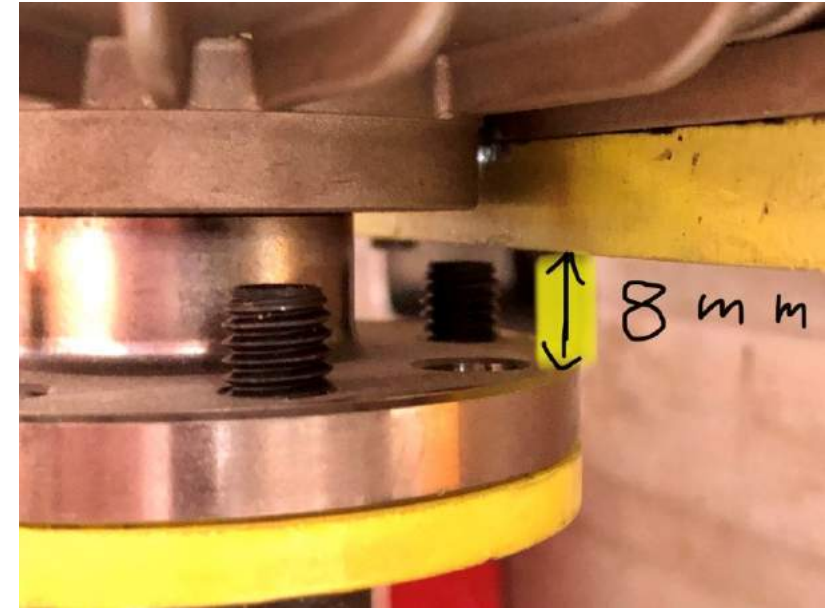


Zip Chain
The two specially shaped chains come together to form a single column



MDX PTE LTD
Select The Right Elements
www.mdx.com.sg

HARDLOCK[®]



HLN-Rim M8x1.25 C8 MP



HLN-Basic M6x1.0 C8 MP

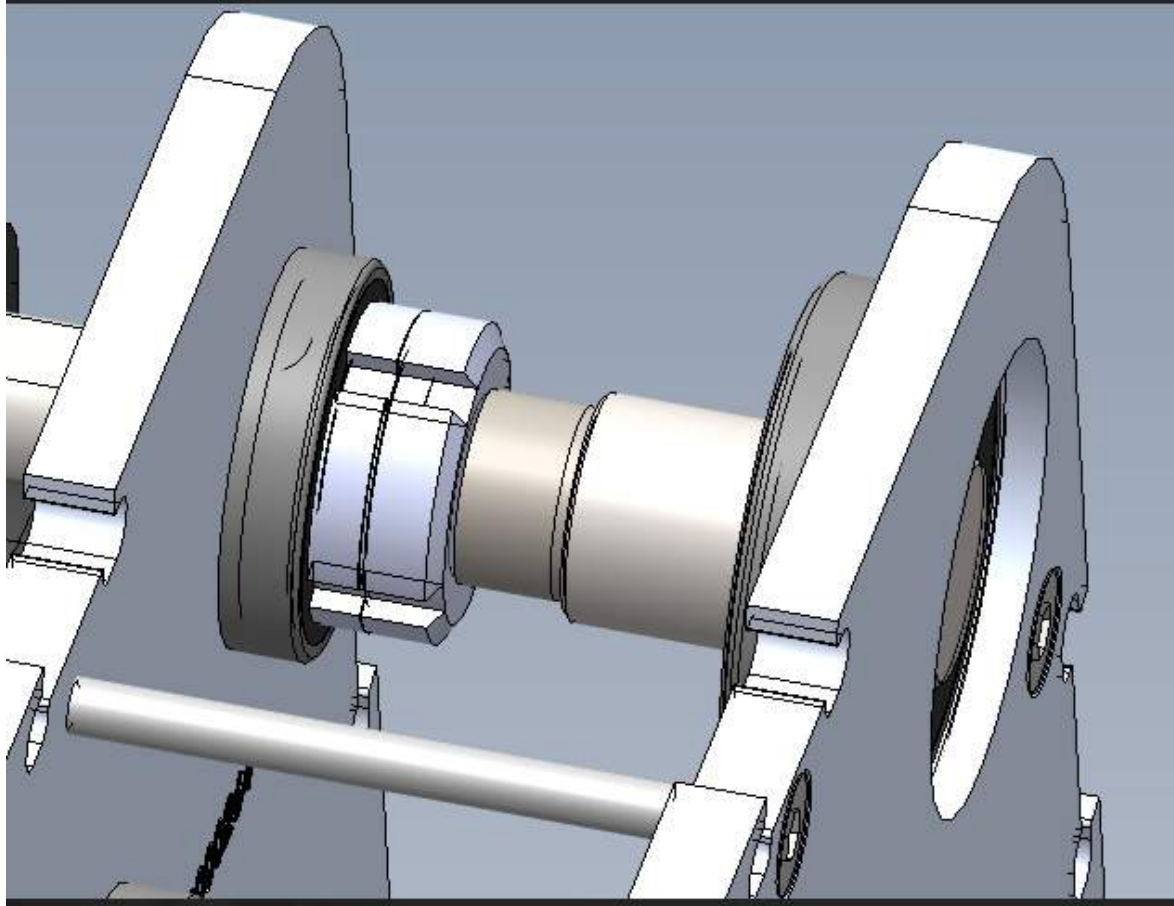
Limited height
operating temperature is up to 250°C tensile strength is
expected to reduce by about 10%
the connection must absorb some vibration

HARDLOCK HLN
Anti-Vibration Hexagon Nut



MDX PTE LTD
Select The Right Elements
www.mdx.com.sg





HLB are used to fix the shaft in conjunction with the ball bearings.
HARDLOCK HLB | Anti-Vibration Bearing Lock Nut | M15x1.0 SS400
HARDLOCK HLB | Anti-Vibration Bearing Lock Nut | M17x1.0 SS400



HARDLOCK HLB | Anti-Vibration Bearing Lock Nut | M15x1.0 SUS304

